

technical data

process connection	Ingold port 25, connection nut G1 1/4"
measuring range	-50°C...+200°C
outer diameter tube D	6mm
material (process-intrusive)	316L *1
material casing	1.4301/1.4305
surface roughness	Ra ≤0,8 *1
protection category	IP68 according to DIN EN 60529

ambient conditions

application area	liquid and gaseous media/ hygienic applications
installation instructions	For mounting in a suitable mounting application

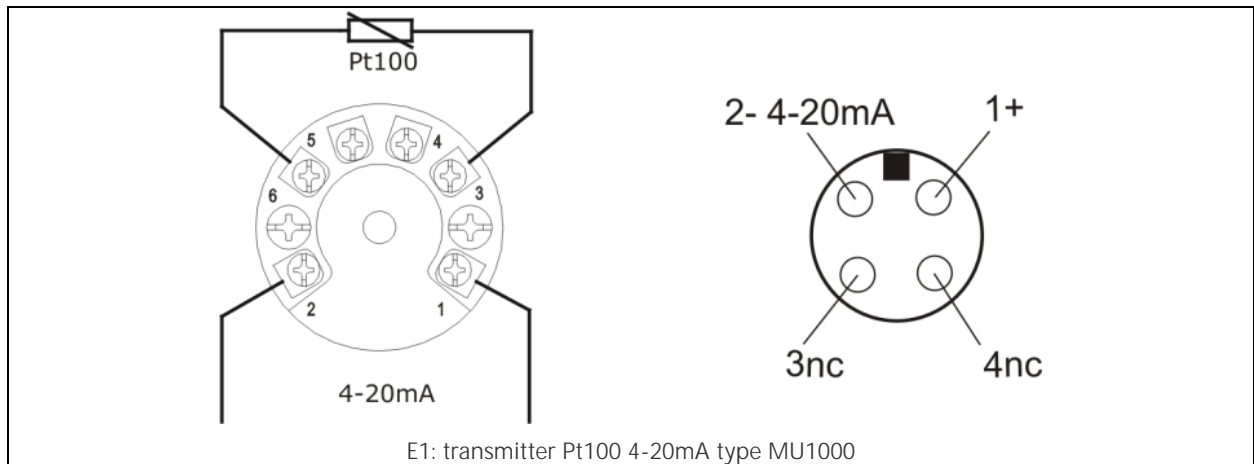
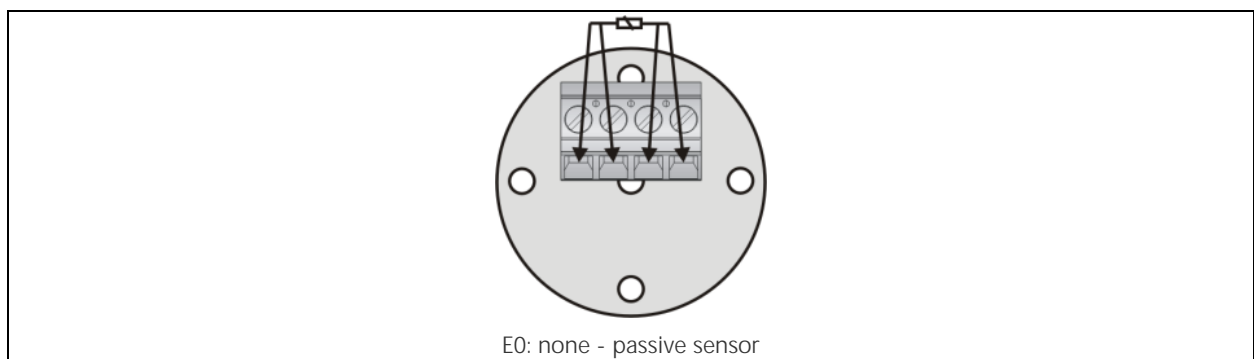
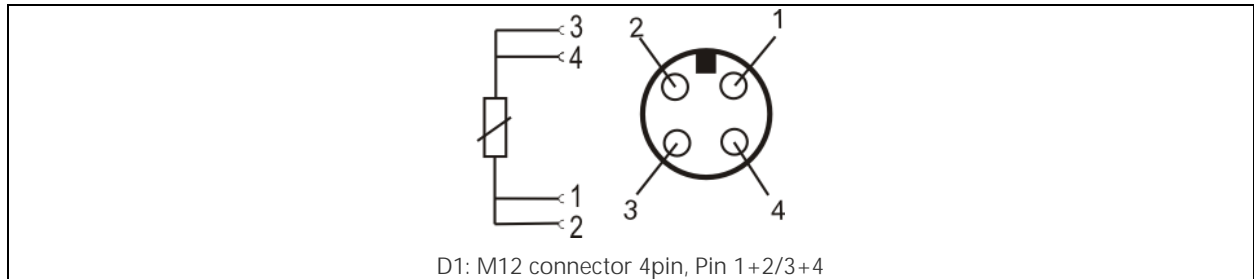
Miscellaneous

labelling	by engraving of housing, "batch-no"
-----------	-------------------------------------

Type key configuration

Pos.:	Physical characteristics	Key	Characteristic
1	installation length "EL"	A0	25mm
		A1	30mm
		A2	50mm
		A3	100mm
2	tapering	B0	none
		B1	6mm tapered to 3mm (length30mm) *2
		B2	6mm tapered to 4mm (length30mm) *3
3	sensorelement-type	C0	Pt100, tolerance class A according to DIN EN 60751
		C1	Pt100, tolerance class AA according to DIN EN 60751

Pos.:	Physical characteristics	Key	Characteristic
4	sensor connection	D0	cable gland, PA, M16x1,5, clamping range 4,5-10mm
		D1	M12 connector 4pin, Pin 1+2/3+4
5	transmitter	E0	none - passive sensor
		E1	transmitter Pt100 4-20mA type MU1000



Existing configurations

Type	Order number	Item number	Old order number
------	--------------	-------------	------------------

Remarks

- *1 in contact with product PB
- *2 response time T05=2sec/T08=4sec
- *3 response time T05=3sec/ T09=6sec

Revision

Version	Effective from	Comment
---------	----------------	---------

