

technical data

process connection	G1/2"
measuring range	-50°C...+200°C
response time	T05=4sec/ T09=10sec *1
material (process-intrusive)	316L *2
material casing	1.4301/1.4305
surface roughness	Ra ≤0,8 *2
protection category	IP69K *3
accross flats	AF22

ambient conditions

application area	liquid media/ non hygienic application
storage temperature	+5°C...+70°C
process pressure	0-16 Bar
installation instructions	For mounting in a suiteable mounting application

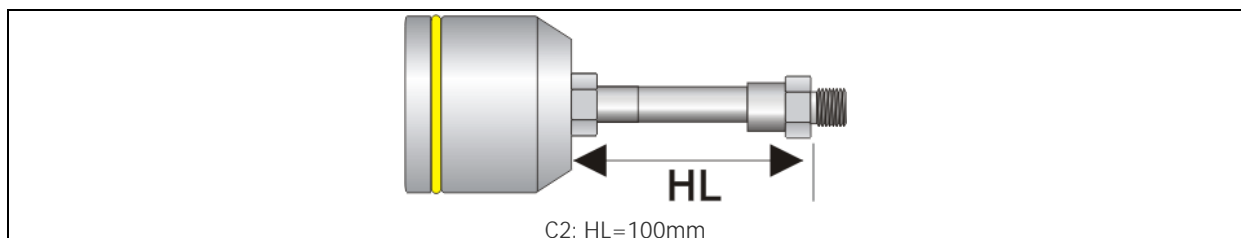
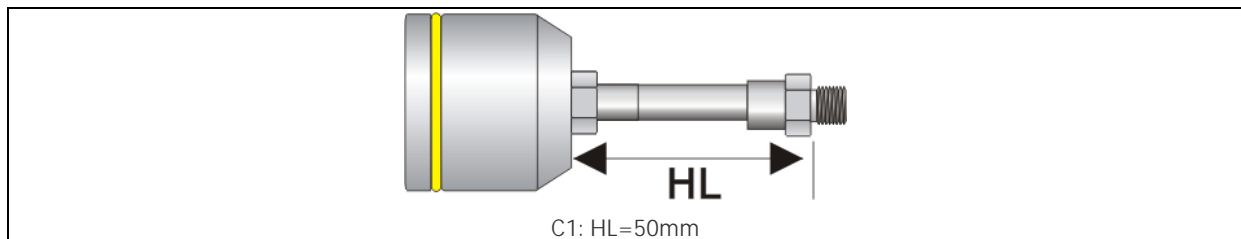
Miscellaneous

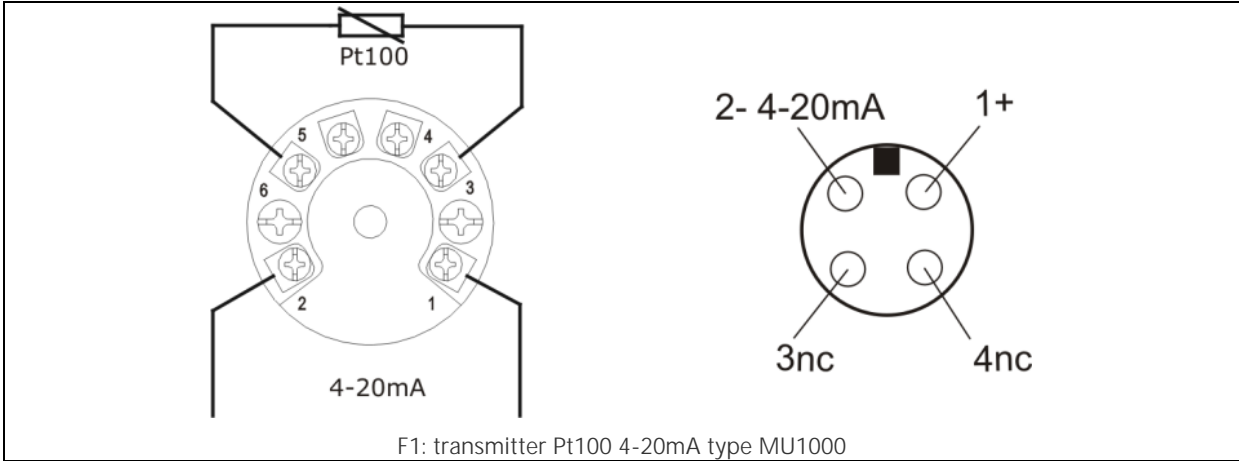
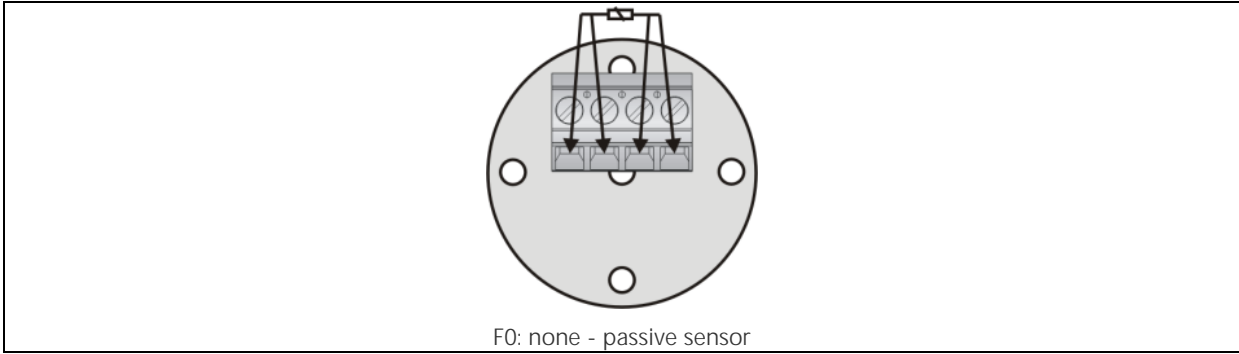
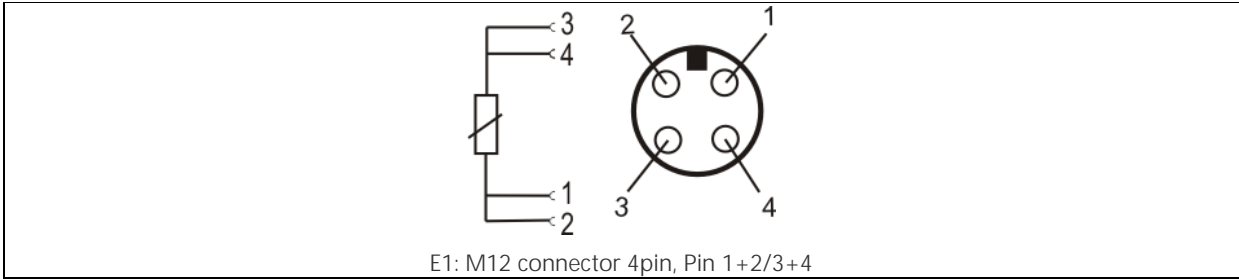
labelling	by engraving of housing, "batch-no"
labelling	by labelling on housing

<p>SONTEC CE</p> <p>Artikel: 800-XXX KW/JJ</p> <p>Type: TYPE-XXX</p> <p><small>Sontec Sensorbau GmbH - Am Wasserfall 6 - D-57368 Lennestadt - www.sontec.de</small></p>
--

Type key configuration

Pos.:	Physical characteristics	Key	Characteristic
1	installation length "EL"	A0	50mm
		A1	100mm
		A2	150mm
		A3	200mm
		A4	250mm
		A5	300mm
		A6	400mm
		A7	500mm
2	tapering	B0	none
		B1	6mm tapered to 3mm (length30mm) *4
		B2	6mm tapered to 4mm (length30mm) *5
3	spacer	C0	no spacer
		C1	HL=50mm
		C2	HL=100mm
4	sensorelement-type	D0	Pt100, tolerance class A according to DIN EN 60751
		D1	Pt100, tolerance class AA according to DIN EN 60751
5	sensor connection	E0	cable gland, PA, M16x1,5, clamping range 4,5-10mm
		E1	M12 connector 4pin, Pin 1+2/3+4
6	transmitter	F0	none - passive sensor
		F1	transmitter Pt100 4-20mA type MU1000





Existing configurations

Type	Order number	Item number	Old order number
TSG-8	TSG-8-A1B0C0D0E0F0	800-081	
TSG-8	TSG-8-A2B0C0D0E0F0	800-439	
TSG-8	TSG-8-A0B0C0D0E0F0	800-438	
TSG-8	TSG-8-A2B0C1D0E0F1	800-251	

Remarks

- *1 measured in water 70°C, flowing water, immersion depth 10xD, or minimum to beginning of across flat
- *2 in contact with product PB
- *3 in combination with fitting mating connector
- *4 response time T05=2sec/T08=4sec
- *5 response time T05=3sec/ T09=6sec

Revision

Version	Effective from	Comment
<u>1.1</u>	14.10.2013 10:07:19	Freigabe PSO 14102013

Version	Effective from	Comment
<u>1.0</u>	10.10.2013 08:38:09	Typenblatt angelegt