

technical data

process connection	G1/2" hygienic
measuring range	-50°C...+140°C
material (process-intrusive)	PEEK / 316L
surface roughness	Ra ≤0,8 *1
material casing	1.4301/1.4305
protection category	IP69K *2
protection class	III
accross flats	AF22
installation length "EL"	front flush
torque	max 10Nm

ambient conditions

application area	liquid and gaseous media/ hygienic applications
storage temperature	+5°C...+70°C
process pressure	max 10bar
installation instructions	For mounting in a suitable mounting application / series "hygienic connect"

Miscellaneous

labelling	by engraving of housing, "batch-no"
labelling	by labelling on housing

SONTEC

CE

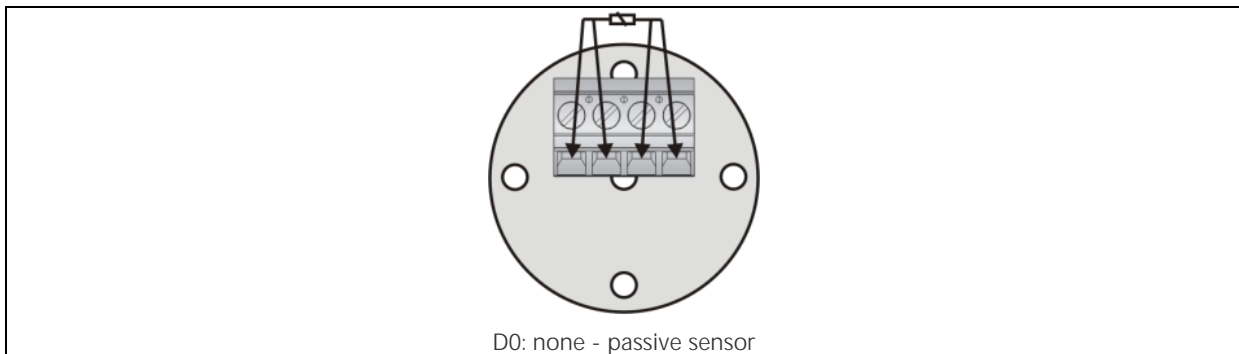
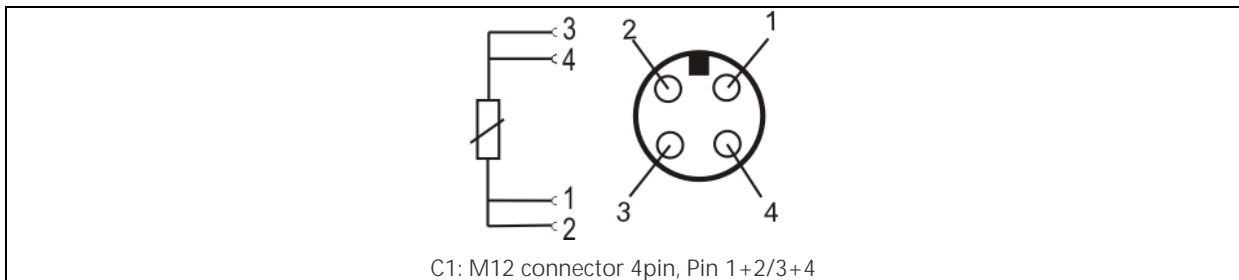
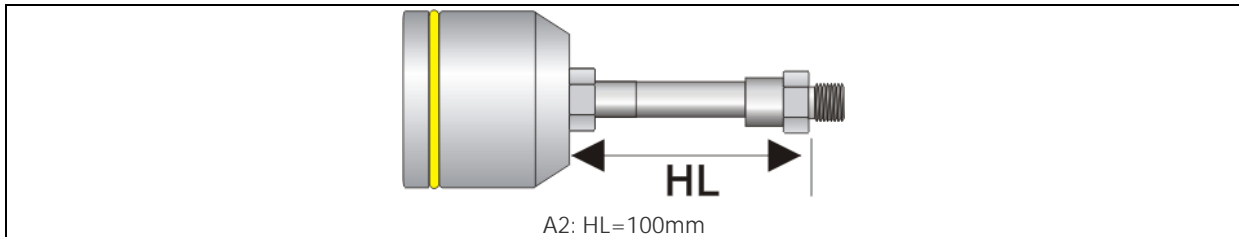
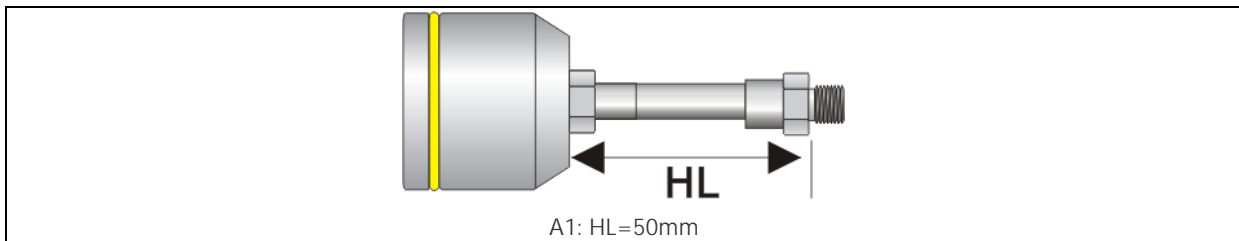
Artikel: 800-XXX
Type: TYPE-XXX

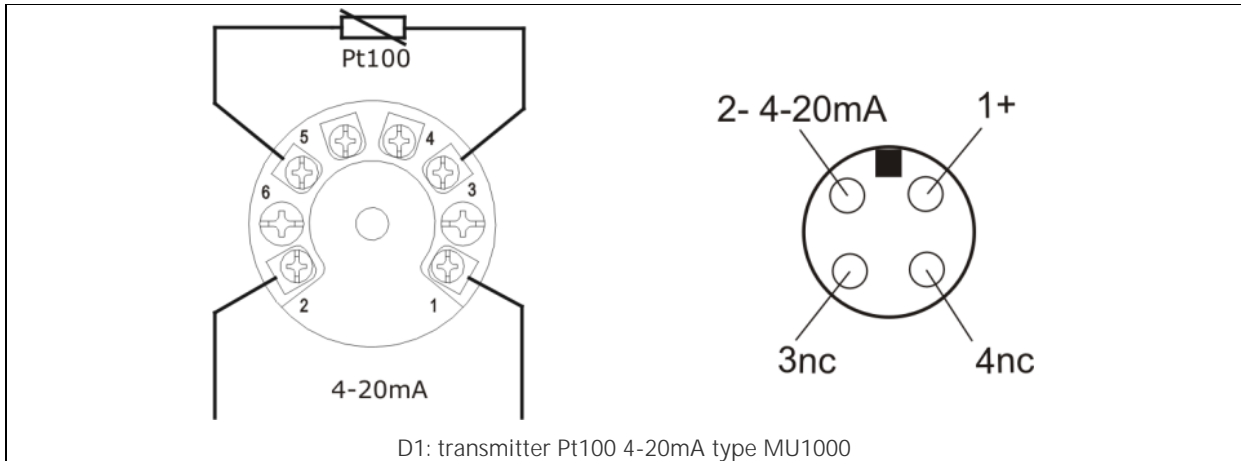
KW/JJ

Sontec Sensorbau GmbH - Am Wasserfall 6 -
D-57368 Lennestadt - www.sontec.de

Type key configuration

Pos.:	Physical characteristics	Key	Characteristic
1	spacer	A0	no spacer
		A1	HL=50mm
		A2	HL=100mm
2	sensorelement-type	B0	Pt100, tolerance class A according to DIN EN 60751
		B1	Pt100, tolerance class AA according to DIN EN 60751
3	sensor connection	C0	cable gland, PA, M16x1,5, clamping range 4,5-10mm
		C1	M12 connector 4pin, Pin 1+2/3+4
4	transmitter	D0	none - passive sensor
		D1	transmitter Pt100 4-20mA type MU1000





Existing configurations

Type	Order number	Item number	Old order number
TP1019	TP1019-A0B0C0D1	800-383	
TP1019	TP1019-A0B0C0D1	800-546	
TP1019	TP1019-A1B0C1D0	800-561	

Remarks

- *1 in contact with product PB
- *2 in combination with fitting mating connector

Revision

Version	Effective from	Comment
1.1	16.10.2013 10:34:30	Freigabe PSO 16102013
1.0	15.10.2013 11:27:01	Typenblatt angelegt