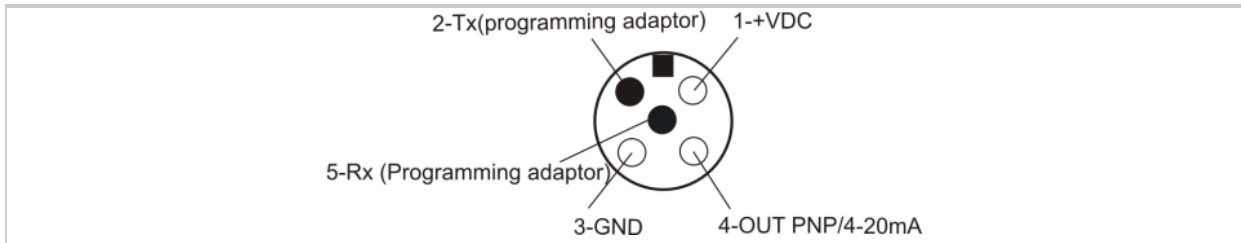


technical data

process connection	G1/2" hygienic
output signal	active, max 50mA / PNP
material (process-intrusive)	PEEK *1
material casing	1.4301/1.4305
response time	140ms
switching-delay	<0,3 sec
supply voltage	Ub=24V ±20% (18...32VDC)
power consumption	<20 mA
permissible load	00hm, 24 VDC, 50mA
setting	via PC-Software "Sonvis"
sensor connection	M12 connector 5pin, for programmable sensors



ambient conditions

process temperature	0°C...100°C / CIP/SIP-cleaning: 0°C...150°C (30 min)
ambient temperature/ head	-10°C...+60°C
storage temperature	-20°C...+70°C
process pressure	max 10bar

Miscellaneous

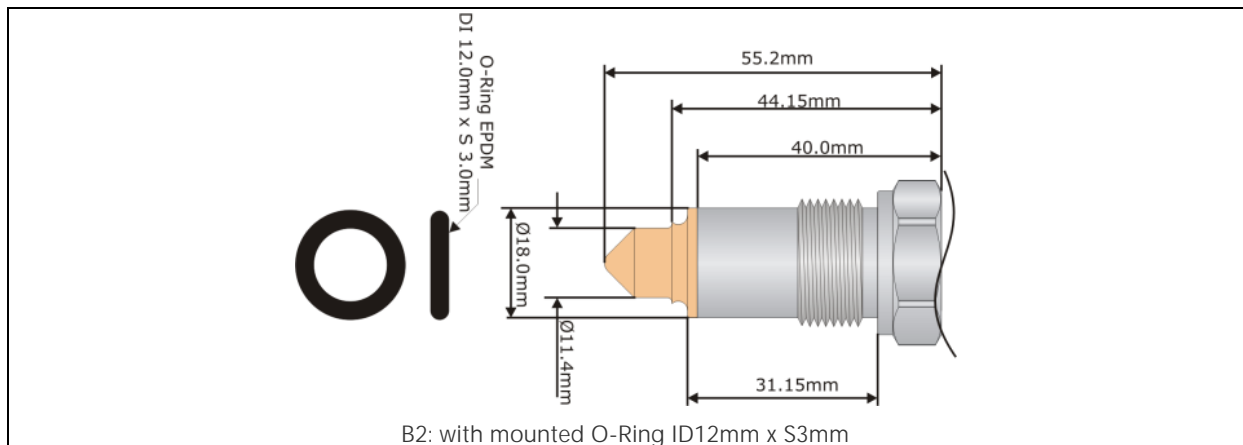
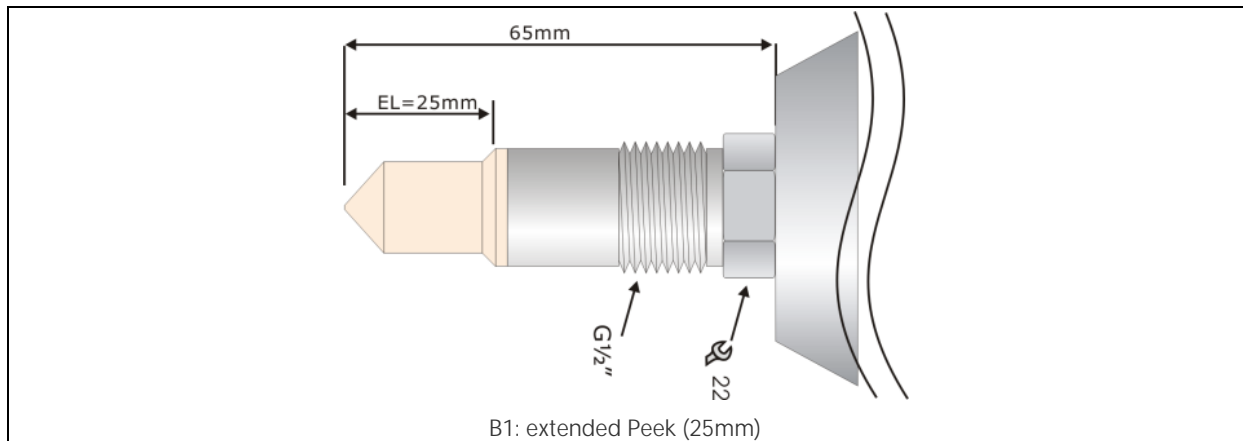
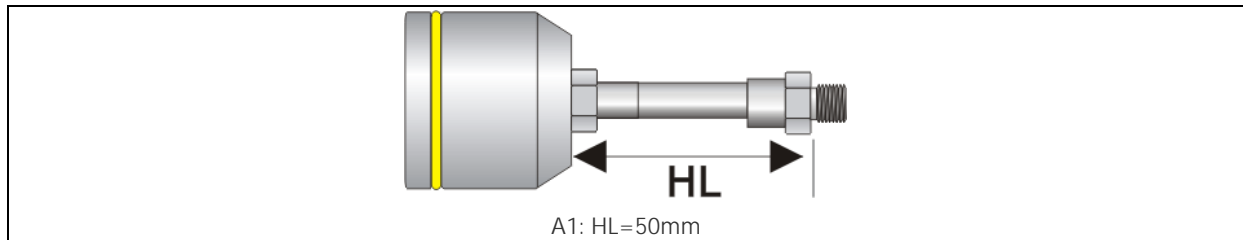
labelling	by labelling on housing
-----------	-------------------------



labelling	by engraving of housing, "batch-no"
-----------	-------------------------------------

Type key configuration

Pos.:	Physical characteristics	Key	Characteristic
1	spacer	A0	no spacer
		A1	HL=50mm
2	Peek-tip	B0	Standard
		B1	extended Peek (25mm)
		B2	with mounted O-Ring ID12mm x S3mm *2



Existing configurations

Type	Order number	Item number	Old order number
CAS-6	<u>CAS-6-A0B2</u>	800-532	
CAS-6	<u>CAS-6-A0B0</u>	800-002	
CAS-6	<u>CAS-6-A0B1</u>	800-064	

Remarks

*1 conform to FDA

*2 O-Ring conform to FDA

Revision

Version	Effective from	Comment
<u>1.0</u>	18.10.2013 14:14:15	Typenblatt angelegt