

technical data

process connection	M12x1,5 hygienic
output signal	active, max 50mA / PNP
material (process-intrusive)	PEEK *1
material casing	1.4301/1.4305
switching-delay	<0,3 sec
supply voltage	U _b =24V ±20% (18...32VDC)
permissible load	0Ohm, 24 VDC, 50mA
setting	via PC-Software "Sonvis"
setting	configurations switch capacitive sensor

Switching on/off threshold

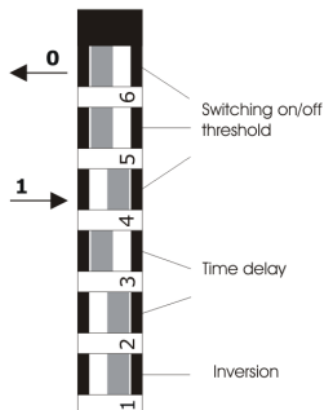
Switch	On %	Off %
6 5 4		
0 0 0	85	83
0 0 1	97	96
0 1 0	72	70
0 1 1	60	58
1 0 0	50	48
1 0 1	11	9
1 1 0	5	4
1 1 1	95	30

adjustable via PC-software

Delay

Switch	Delay in sec
3 2	
0 0	0 sec
0 1	2 sec
1 0	4 sec
1 1	8 sec

Configuration switch



ambient conditions

process temperature	0°C...100°C /CIP/SIP-cleaning: 0°C...150°C (30 min)
ambient temperature/ head	-10°C...+70°C

storage temperature	-20°C...+70°C
process pressure	max 10bar
installation instructions	For mounting in a suitable mounting application / series "hygienic connect"

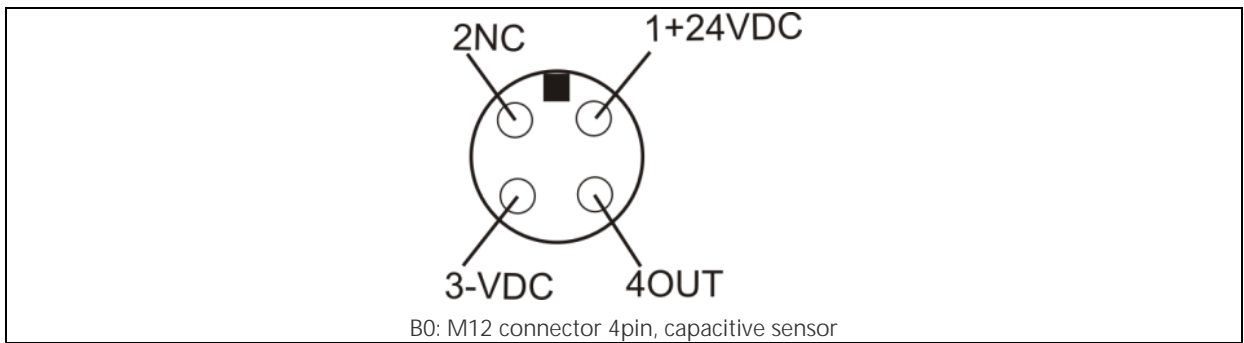
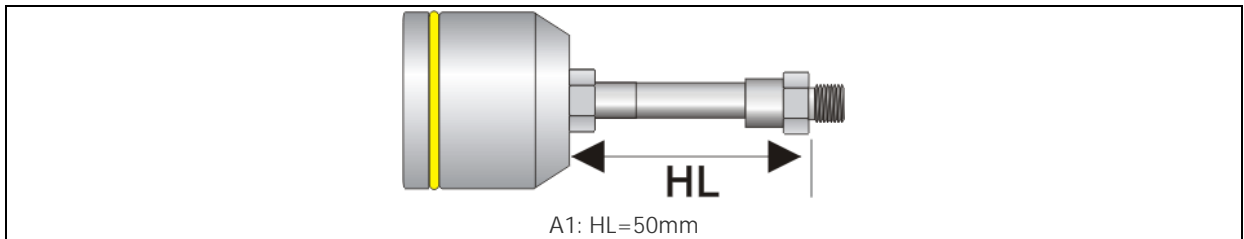
Miscellaneous

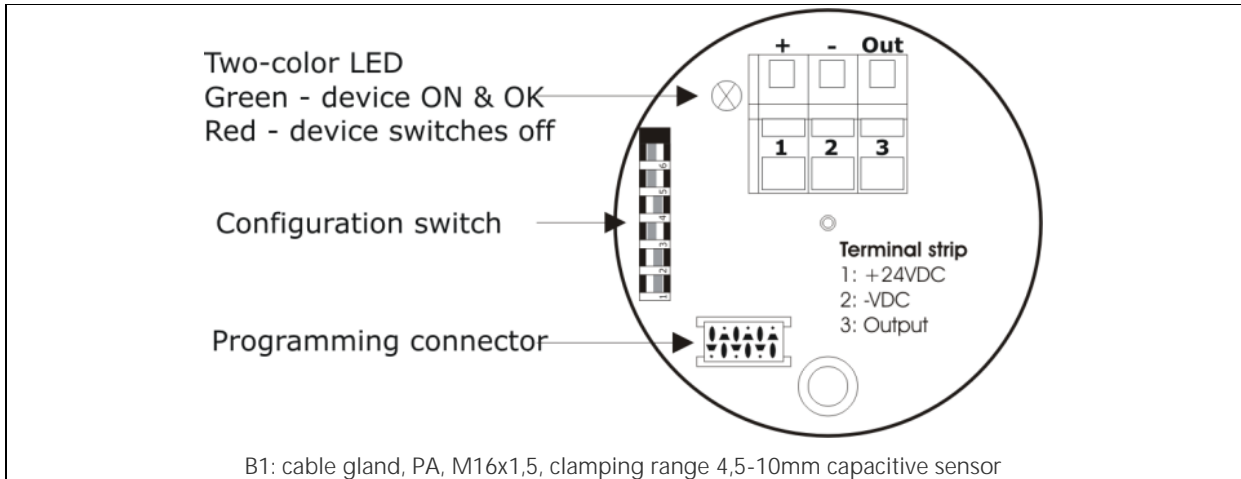
labelling	by engraving of housing, "batch-no"
labelling	by labelling on housing



Type key configuration

Pos.:	Physical characteristics	Key	Characteristic
1	spacer	A0	no spacer
		A1	HL=50mm
2	sensor connection	B0	M12 connector 4pin, capacitive sensor
		B1	cable gland, PA, M16x1,5, clamping range 4,5-10mm capacitive sensor





Existing configurations

Type	Order number	Item number	Old order number
------	--------------	-------------	------------------

Remarks

*1 conform to FDA

We reserve the right to make technical modifications and correction at any time without prior notice!
 This version of the data / type sheet is a translation by a partner. We assume no liability for translation errors. If the translation contains errors or ambiguities, the German version of the data / type sheet is to be used.

Revision

Version	Effective from	Comment
<u>1.0</u>	03.12.2013 08:18:50	Typenblatt angelegt