

technical data

process connection	G1" hygienic
material (process-intrusive)	316L *1
torque	metal-metal: 5...20Nm
torque	metal-PEEK: 5-10Nm

ambient conditions

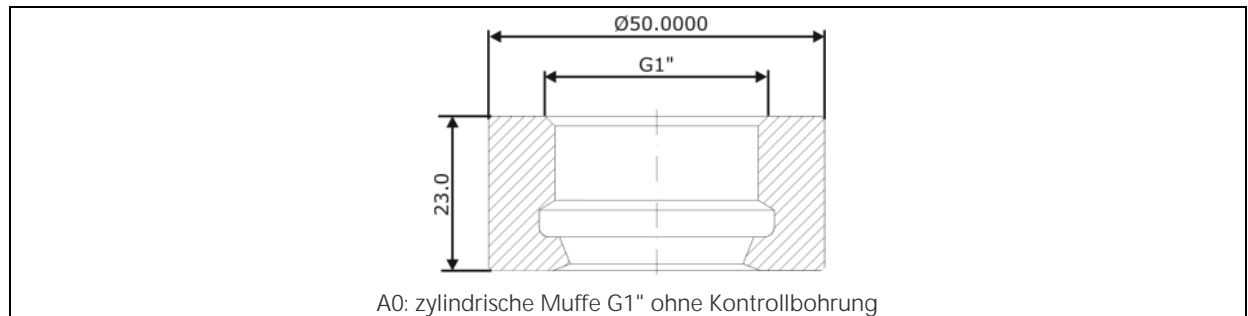
process temperature	metal-metal: max.250°C
process temperature	metal-PEEK: due to Peek max 140°C (short-term 150°C)
process pressure	metal-metal: max.50bar
process pressure	metal-PEEK: max.10bar

Miscellaneous

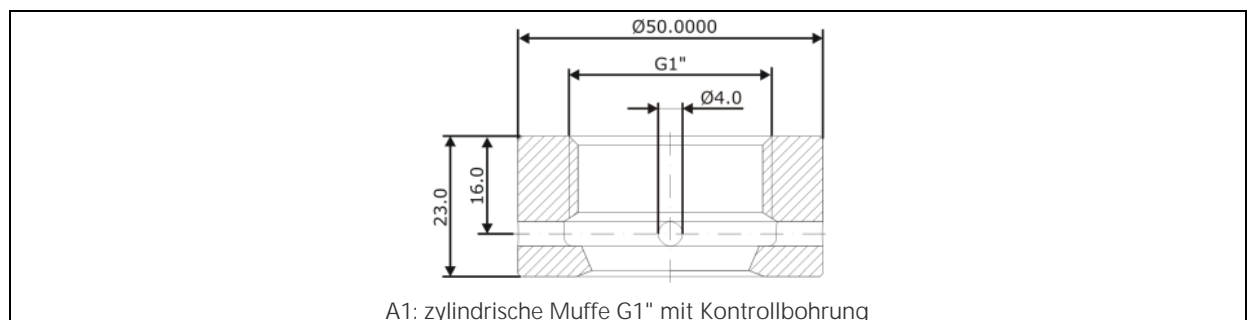
labelling	by engraving of housing, "batch-no"
-----------	-------------------------------------

Type key configuration

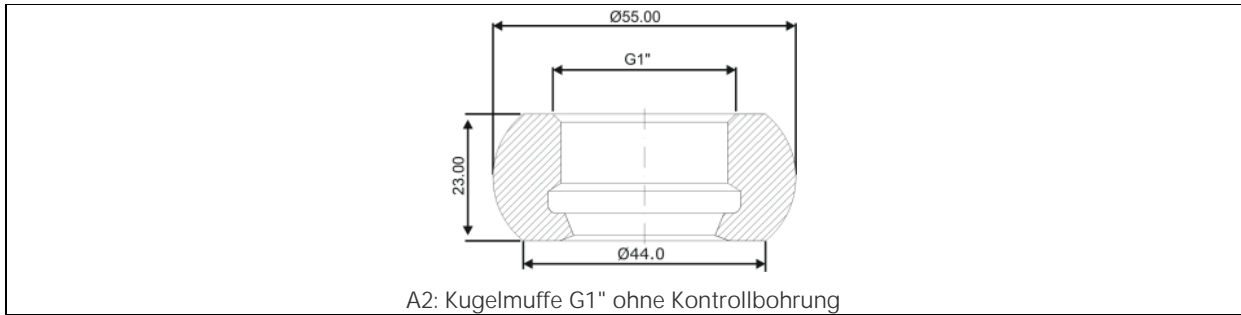
Pos.:	Physical characteristics	Key	Characteristic
1	design	A0	zylindrische Muffe G1" ohne Kontrollbohrung
		A1	zylindrische Muffe G1" mit Kontrollbohrung
		A2	Kugelmuffe G1" ohne Kontrollbohrung
		A3	Kugelmuffe G1" mit Kontrollbohrung



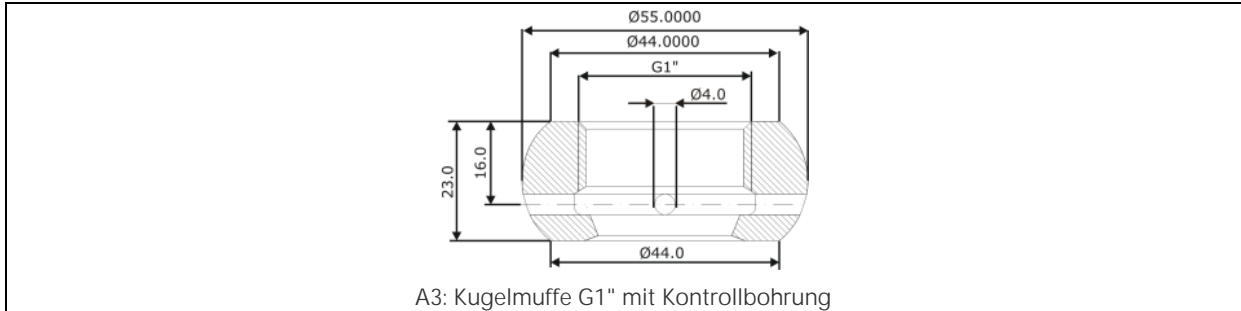
A0: zylindrische Muffe G1" ohne Kontrollbohrung



A1: zylindrische Muffe G1" mit Kontrollbohrung



A2: Kugelmuffe G1" ohne Kontrollbohrung



A3: Kugelmuffe G1" mit Kontrollbohrung

Existing configurations

Type	Order number	Item number	Old order number
PA1005	PA1005-A0	800-008	PE5-50-4404
PA1005	PA1005-A1	800-653	

Remarks

*1 in contact with product PB

Revision

Version	Effective from	Comment
<u>1.0</u>	10.12.2014 14:06:47	Typenblatt angelegt