

Technical data

material (process-intrusive)	316L *1
process connection	G1/2" hygienic
torque	metal-metal: 5...20Nm
torque	metal-PEEK: 5-10Nm

ambient conditions

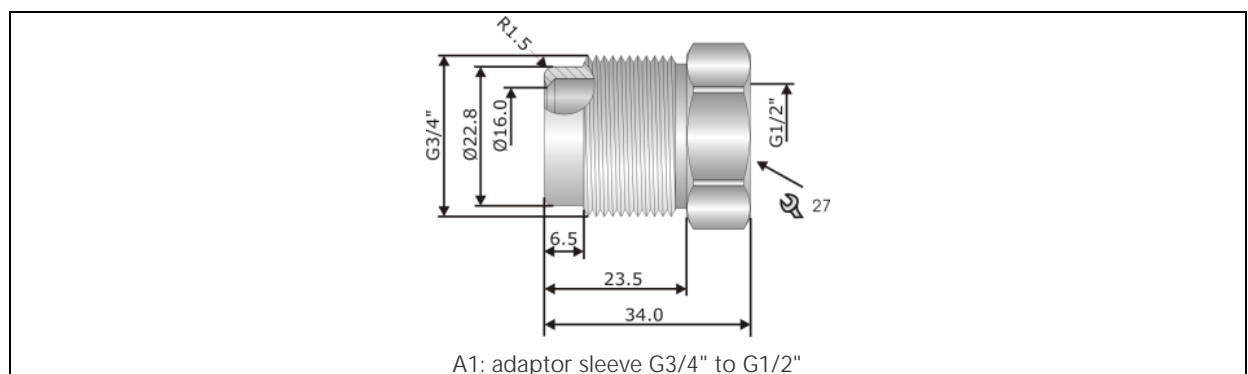
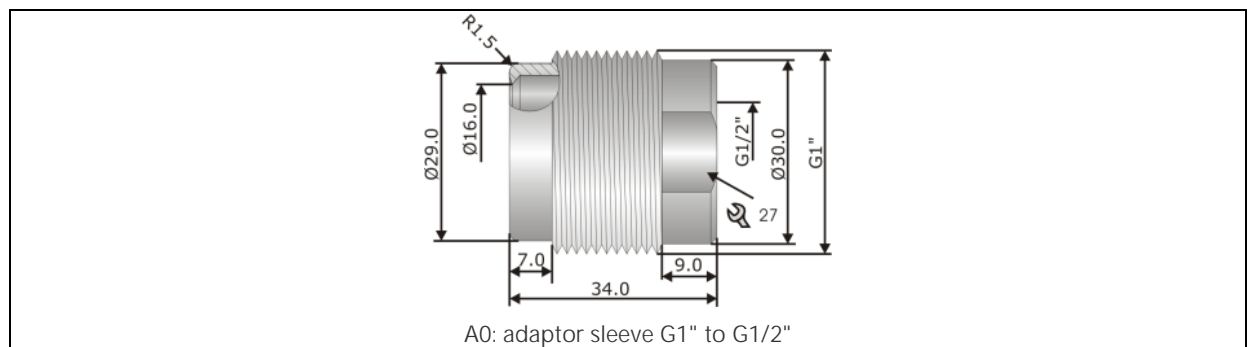
process temperature	metal-metal: max.250°C
process temperature	metal-PEEK: due to Peek max 140°C (short-term 150°C)
process pressure	metal-metal: max.50bar
process pressure	metal-PEEK: max.10bar

Miscellaneous

labelling	by engraving of housing, "batch-no"
-----------	-------------------------------------

Type key configuration

Pos.:	Physical characteristics	Key	Characteristic
1	design	A0	adaptor sleeve G1" to G1/2"
		A1	adaptor sleeve G3/4" to G1/2"



Existing configurations

Type	Order number	Item number	Old order number
------	--------------	-------------	------------------

Remarks

*1 in contact with product PB

We reserve the right to make technical modifications and correction at any time without prior notice!
 This version of the data / type sheet is a translation by a partner. We assume no liability for translation errors. If the translation contains errors or ambiguities, the German version of the data / type sheet is to be used.

Revision

Version	Effective from	Comment
1.0	22.10.2015 07:56:49	Typenblatt angelegt