

TECHNICAL DATA

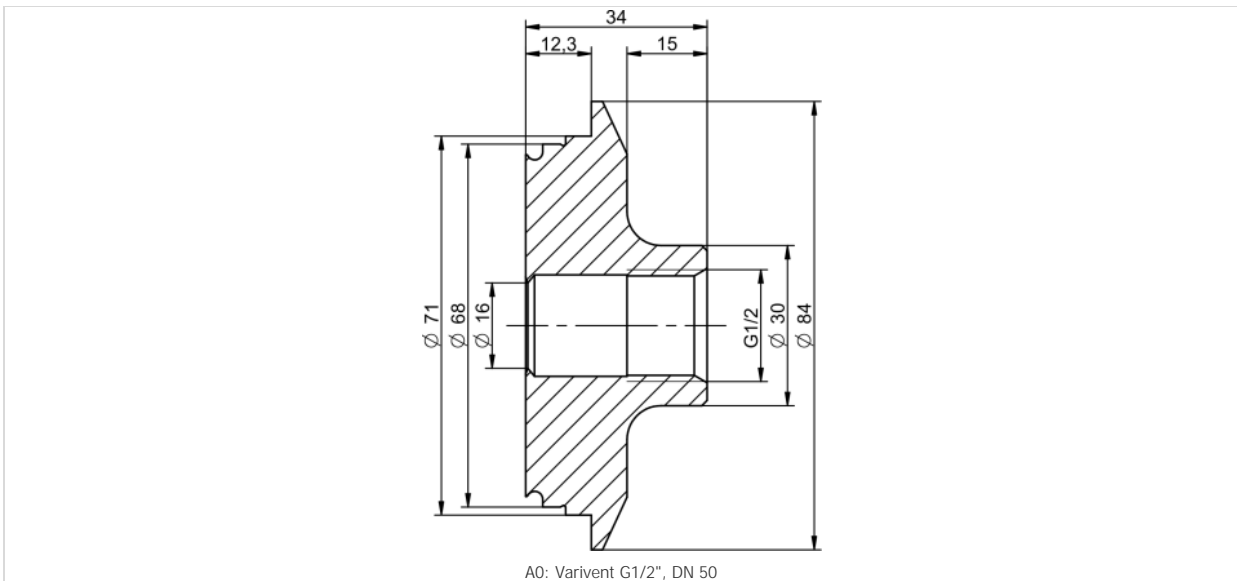
process connection	G1/2" hygienic
material (process-intrusive)	1.4404/1.4435 (316L)

MISCELLANEOUS

labelling	by engraving of housing, "batch-no"
-----------	-------------------------------------

TYPE KEY CONFIGURATION

Pos.:	Physical characteristics	Key	Characteristic
1	design	A0	Varivent G1/2", DN 50 **1



EXISTING CONFIGURATIONS

Type	Order number	Item number	Old order number
VAR-G1/2"	VAR-G1/2"-A0	800-858	

REMARKS

measured in water 70°C, 0,04m/sec

*1 measured in water 70°C, 0,04m/sec

We reserve the right to make technical modifications and correction at any time without prior notice!

This version of the data / type sheet is a translation by a partner. We assume no liability for translation errors. If the translation contains errors or ambiguities, the German version of the data / type sheet is to be used.

REVISION

Version	Effective from	Comment
1.0	16.02.2018 15:07:45	Typenblatt angelegt