

TECHNICAL DATA

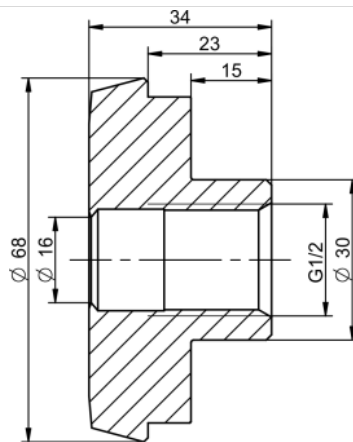
process connection	G1/2" hygienic
material (process-intrusive)	1.4404/1.4435 (316L)

MISCELLANEOUS

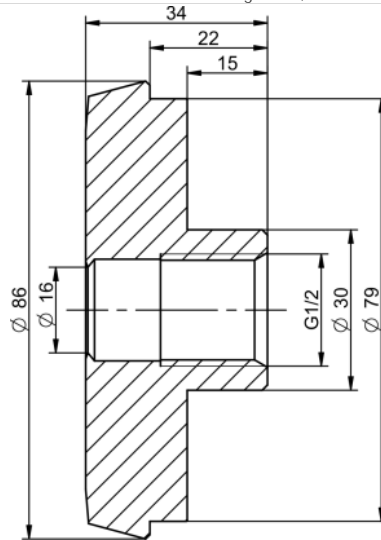
labelling	by engraving of housing, "batch-no"
-----------	-------------------------------------

TYPE KEY CONFIGURATION

Pos.:	Physical characteristics	Key	Characteristic
1	design	A0	Milchrohrverschraubung G1/2", DN50 *1
		A1	Milchrohrverschraubung G1/2", DN65 *1



A0: Milchrohrverschraubung G1/2", DN50



A1: Milchrohrverschraubung G1/2", DN65

EXISTING CONFIGURATIONS

Type	Order number	Item number	Old order number
MIL-G1/2"	<u>MIL-G1/2"-A0</u>	800-545	

REMARKS

measured in water 70°C, 0,04m/sec

*1 measured in water 70°C, 0,04m/sec

We reserve the right to make technical modifications and correction at any time without prior notice!

This version of the data / type sheet is a translation by a partner. We assume no liability for translation errors. If the translation contains errors or ambiguities, the German version of the data / type sheet is to be used.

REVISION

Version	Effective from	Comment
<u>1.0</u>	16.02.2018 15:11:27	Typenblatt angelegt