

TECHNICAL DATA

process connection	G1" hygienic
material (process-intrusive)	316L *1
material isolator	PEEK *2
material casing	1.4301/1.4305
protection category	IP69K *3
torque	10Nm...20Nm
access flats	AF36

AMBIENT CONDITIONS

application area	liquid and gaseous media/ hygienic applications
process temperature	0°C...100°C /CIP/SIP-cleaning: 0°C...150°C (30 min)
ambient temperature/ head	-10°C...+60°C
storage temperature	-20°C...+85°C
process pressure	max 10 bar
installation instructions	For mounting in a suitable mounting application / series "hygienic connect"

MISCELLANEOUS

labelling	by engraving of housing, "batch-no"
labelling	by labelling on housing



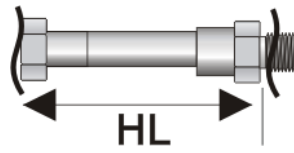
Artikel: 800-XXX
Type: TYPE-XXX

KW/UJ

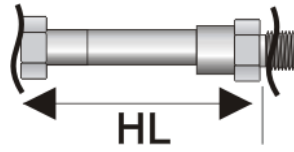
Sontec Sensorbau GmbH - Am Wasserfall 6 -
D-57368 Lennestadt - www.sontec.de

TYPE KEY CONFIGURATION

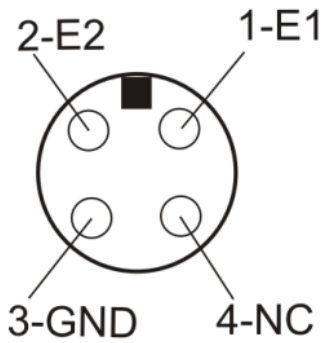
Pos.:	Physical characteristics	Key	Characteristic
1	Stab 1	A0	SL 200mm/ no coating
		A1	SL 200mm/ PFA-coating *2
		A2	SL 500mm/ no coating
		A3	SL 500mm/ETFE coated *4
		A4	SL 500mm/ PFA-coating
		A5	SL 1000mm/ no coating
		A6	SL 1000mm/ ETFE coating *5
		A7	SL 1000mm/ PFA coating
		A8	SL 1500mm/ no coating
		A9	SL 1500mm/ ETFE coating *5
		A10	SL 1500/ PFA-coating
		A11	SL 2000mm/ ETFE coating *5
A12	SL 2000mm/ PFA-coating		
2	rod 1 diameter	B0	4mm
		B1	8mm
3	Stab 2	C0	SL 200mm/ no coating
		C1	SL 200mm/ ETFE coating *4
		C2	SL 200mm/ PFA-coating
		C3	SL 500mm/ no coating
		C4	SL 500mm/ETFE coated *4
		C5	SL 500mm/ PFA-coating
		C6	SL 1000mm/ no coating
		C7	SL 1000mm/ ETFE coating *4
		C8	SL 1000mm/ PFA coating
		C9	SL 1500mm/ no coating
		C10	SL 1500mm/ ETFE coating
		C11	SL 1500/ PFA-coating
		C12	SL 2000mm/ no coating
		C13	SL 2000mm/ ETFE coating *4
C14	SL 2000mm/ PFA-coating		
4	rod 2 diameter	D0	4mm
		D1	8mm
5	wire break monitoring *6	E0	without
		E1	wire break resistance
6	spacer	F0	no spacer
		F1	HL=50mm
		F2	HL=100mm
7	evaluation unit	G0	none -two-rod-probe
		G1	SMC-8-2-rod
8	sensor connection	H0	cable gland, PA, M16x1,5, clamping range 4,5-10mm
		H1	M12 connector 4pin, conductive sensor 2-rod



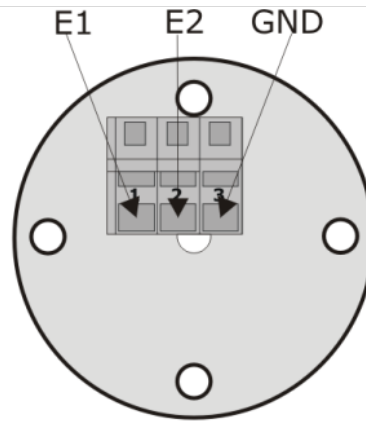
F1: HL=50mm



F2: HL=100mm

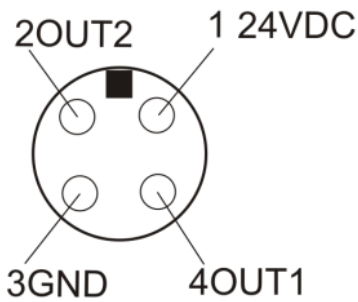


With M12 connector

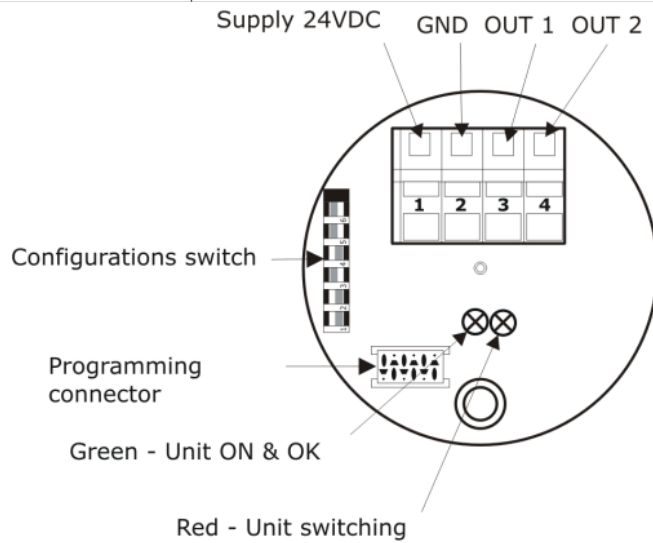


With cable gland

G0: none -two-rod-probe



With M12 connector



With cable gland

G1: SMC-8-2-rod

EXISTING CONFIGURATIONS

Type	Order number	Item number	Old order number
CS2-8	CS2-8-A4B0C5D0E0F0G0H0	800-022	
CS2-8	CS2-8-A1B0C2D0E0F0G0H0	800-046	
CS2-8	CS2-8-	800-065	

REMARKS

*1 in contact with product PB

*2 conform to FDA

*3 in combination with fitting mating connector

*4 conform to FDA only up to 120°C

*5 FDA-conformity up to 120°C, conform to EG1935/2004, approved by 10/2011

*6 does only make sense with external evaluation unit

We reserve the right to make technical modifications and correction at any time without prior notice!

This version of the data / type sheet is a translation by a partner. We assume no liability for translation errors. If the translation contains errors or ambiguities, the German version of the data / type sheet is to be used.

REVISION

Version	Effective from	Comment
<u>3.0</u>	07.12.2018 15:22:10	s-coat entfernt, ETFE hinzugefügt.
<u>2.0</u>	30.04.2014 10:38:47	
<u>1.1</u>	08.10.2013 08:30:08	Freigabe PSO 07102013
<u>1.0</u>	19.08.2013 07:46:03	Typenblatt angelegt