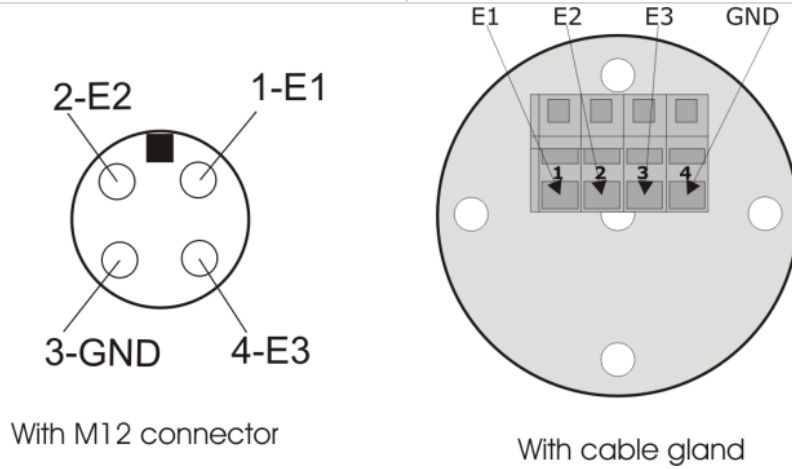


TECHNICAL DATA

process connection	G1" hygienic
material (process-intrusive)	316L *1
material isolator	PEEK *2
material casing	1.4301/1.4305
surface roughness	Ra ≤0,8 *1
protection category	IP69K *3
protection class	III
evaluation unit	passive -three-rod-probe



across flats	AF36
torque	10Nm...20Nm

AMBIENT CONDITIONS

application area	liquid and gaseous media/ hygienic applications
storage temperature	+5°C...+70°C
process pressure	max 10 bar
installation instructions	For mounting in a suitable mounting application / series "hygienic connect"

MISCELLANEOUS

labelling	by labelling on housing
-----------	-------------------------

SONTEC



Artikel: 800-XXX
Type: TYPE-XXX

KW/LJ

Sontec Sensorbau GmbH - Am Wasserfall 6 -
D-57368 Lennestadt - www.sontec.de

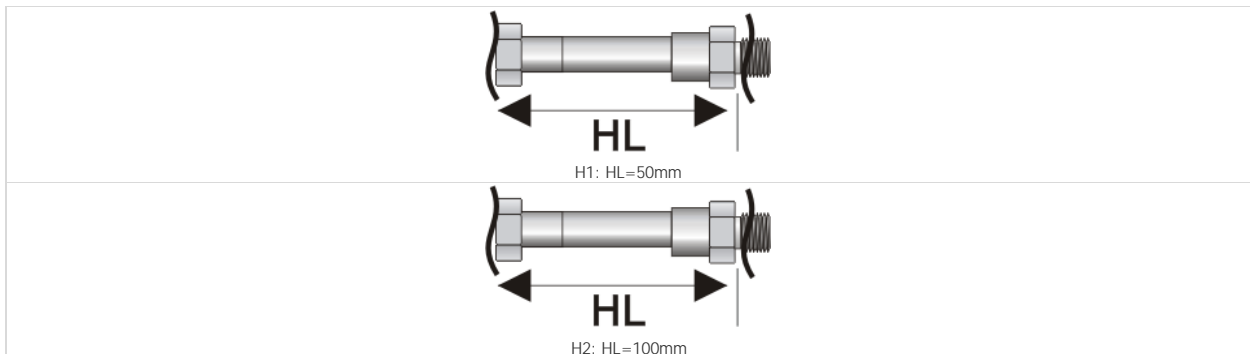
labelling

by engraving of housing, "batch-no"

TYPE KEY CONFIGURATION

Pos.:	Physical characteristics	Key	Characteristic
1	Stab 1	A0	SL 200mm/ no coating
		A1	SL 200mm/ ETFE coating *4
		A2	SL 200mm/ PFA-coating *2
		A3	SL 500mm/ no coating
		A4	SL 500mm/ PFA-coating
		A5	SL 1000mm/ no coating
		A6	SL 1000mm/ ETFE coating *4
		A7	SL 1000mm/ PFA coating
		A8	SL 1500mm/ no coating
		A9	SL 1500mm/ ETFE coating *4
		A10	SL 1500/ PFA-coating
		A11	SL 2000mm/ no coating
		A12	SL 2000mm/ ETFE coating *4
		A13	SL 2000mm/ PFA-coating
		A14	SL 1200mm/ PFA-Beschichtung
		A15	SL 100mm/ PFA-Beschichtung
		A16	SL 500mm/ETFE coated *5
A17	SL 450mm/ no coating *6		
2	rod 1 diameter	B0	4mm
		B1	8mm
3	Stab 2	C0	SL 200mm/ no coating
		C1	SL 200mm/ ETFE coating *5
		C2	SL 200mm/ PFA-coating
		C3	SL 500mm/ no coating
		C4	SL 500mm/ PFA-coating
		C5	SL 1000mm/ no coating
		C6	SL 1000mm/ ETFE coating *5
		C7	SL 1000mm/ PFA coating
		C8	SL 1500mm/ no coating
		C9	SL 1500mm/ ETFE coating
		C10	SL 1500/ PFA-coating
		C11	SL 2000mm/ no coating
		C12	SL 2000mm/ ETFE coating *5
		C13	SL 2000mm/ PFA-coating
		C14	SL 790mm/ PFA-Beschichtung
		C15	SL 100mm/ PFA-Beschichtung
		C16	SL 500mm/ETFE coated *5
C17	SL 400mm/ no coating *6		
4	rod 2 diameter	D0	4mm
		D1	8mm

Pos.:	Physical characteristics	Key	Characteristic
5	Stab 3	E0	SL 200mm/ no coating
		E1	SL 200mm/ ETFE coating *5
		E2	SL 200mm/ PFA-coating
		E3	SL 500mm/ no coating
		E4	SL 500mm/ PFA-coating
		E5	SL 1000mm/ no coating
		E6	SL 1000mm/ ETFE coating *5
		E7	SL 1000mm/ PFA coating
		E8	SL 1500mm/ no coating
		E9	SL 1500mm/ ETFE coating
		E10	SL 1500/ PFA-coating
		E11	SL 2000mm/ no coating
		E12	SL 2000mm/ ETFE coating *5
		E13	SL 2000mm/ PFA-coating
		E14	SL 320mm/ PFA-Beschichtung
		E15	SL 100mm/ blank
		E16	SL 500mm/ETFE coated *5
E17	SL 150mm/ no coating *6		
6	rod 3 diameter	F0	4mm
		F1	8mm
7	wire break monitoring *7	G0	without
		G1	wire break resistance
8	spacer	H0	no spacer
		H1	HL=50mm
		H2	HL=100mm
9	sensor connection	I0	M12 connector 4pin, conductive sensor 3-rod
		I1	cable gland, PA, M16x1,5, clamping range 4,5-10mm



EXISTING CONFIGURATIONS

Type	Order number	Item number	Old order number
CS3-8	CS3-8-A17B0C17D0E17F0G0H0I1	800-987	
CS3-8	CS3-8-A0B0C3D0E5F0G0H0I1	800-714	
CS3-8	CS3-8-A7B0C7D0E7F0G0H0I1	800-702	
CS3-8	CS3-8-A4B0C4D0E4F0G0H0I1	800-663	
CS3-8	CS3-8-A4B1C4D1E4F1G0H0I0	800-657	
CS3-8	CS3-8-A15B0C15D0E15F0G0H0I1	800-581	

Type	Order number	Item number	Old order number
CS3-8	<u>CS3-8-A14B0C14D0E14F0G0H0I1</u>	800-535	
CS3-8	<u>CS3-8-A4B0C4D0E4F0G0H0I1</u>	800-150	
CS3-8	<u>CS3-8-A4B0C4D0E4F0G0H0I1</u>	800-003	

REMARKS

*1 in contact with product PB

*2 conform to FDA

*3 in combination with fitting mating connector

*4 FDA-conformity up to 120°C, conform to EG1935/2004, approved by 10/2011

*5 conform to FDA only up to 120°C

*6 measured in water 70°C, 0,04m/sec

*7 does only make sense with external evaluation unit

We reserve the right to make technical modifications and correction at any time without prior notice!

This version of the data / type sheet is a translation by a partner. We assume no liability for translation errors. If the translation contains errors or ambiguities, the German version of the data / type sheet is to be used.

REVISION

Version	Effective from	Comment
<u>3.0</u>	11.12.2018 08:05:26	S-coat entfernt, ETFE hinzugefügt
<u>2.0</u>	30.04.2014 13:15:55	Typenschlüssel UPDATE
<u>1.1</u>	09.10.2013 10:32:12	Freigabe PSO 09102013
<u>1.0</u>	19.08.2013 08:48:40	Typenblatt angelegt