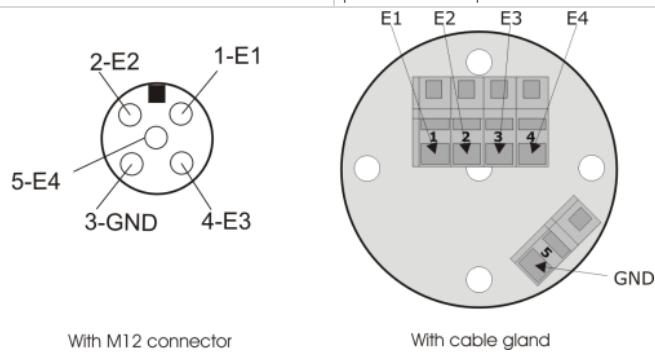


**TECHNICAL DATA**

process connection	G1" hygienic
material (process-intrusive)	316L *1
material isolator	PEEK *2
material casing	1.4301/1.4305
surface roughness	Ra ≤0,8 *1
evaluation unit	passive -four-rod-probe



protection category	IP69K *3
protection class	III
access flats	AF36
torque	10Nm...20Nm

**AMBIENT CONDITIONS**

application area	liquid and gaseous media/ hygienic applications
process temperature	0°C...120°C /CIP/SIP-cleaning: 0°C...140°C (30 min)
ambient temperature	-10...+60°C
continuous temperature /head	0°C...+70°C
storage temperature	+5°C...+70°C
process pressure	max 10 bar
installation instructions	For mounting in a suitable mounting application / series "hygienic connect"

**MISCELLANEOUS**

labelling	by engraving of housing, "batch-no"
labelling	by labelling on housing

**SONTEC**



Artikel: 800-XXX  
Type: TYPE-XXX

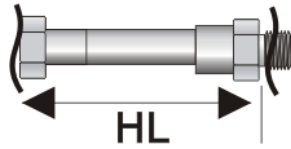
KW/JJ

Sontec Sensorbau GmbH - Am Wasserfall 6 -  
D-57368 Lennestadt - [www.sontec.de](http://www.sontec.de)

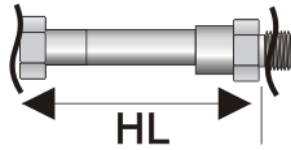
**TYPE KEY CONFIGURATION**

Pos.:	Physical characteristics	Key	Characteristic
1	Stab 1	A0	SL 200mm/ no coating
		A1	SL 200mm/ ETFE coating *4
		A2	SL 200mm/ PFA-coating *2
		A3	SL 500mm/ no coating
		A4	SL 500mm/ETFE coated *5
		A5	SL 500mm/ PFA-coating
		A6	SL 1000mm/ no coating
		A7	SL 1000mm/ ETFE coating *4
		A8	SL 1000mm/ PFA coating
		A9	SL 1500mm/ no coating
		A10	SL 1500mm/ ETFE coating *4
		A11	SL 1500/ PFA-coating
		A12	SL 2000mm/ no coating
		A13	SL 2000mm/ ETFE coating *4
A14	SL 2000mm/ PFA-coating		
2	rod 1 diameter	B0	4mm
		B1	8mm
3	Stab 2	C0	SL 200mm/ no coating
		C1	SL 200mm/ ETFE coating *5
		C2	SL 200mm/ PFA-coating
		C3	SL 500mm/ no coating
		C4	SL 500mm/ETFE coated *5
		C5	SL 500mm/ PFA-coating
		C6	SL 1000mm/ no coating
		C7	SL 1000mm/ ETFE coating *5
		C8	SL 1000mm/ PFA coating
		C9	SL 1500mm/ no coating
		C10	SL 1500mm/ ETFE coating
		C11	SL 1500/ PFA-coating
		C12	SL 2000mm/ no coating
		C13	SL 2000mm/ ETFE coating *5
C14	SL 2000mm/ PFA-coating		
4	rod 2 diameter	D0	4mm
		D1	8mm

Pos.:	Physical characteristics	Key	Characteristic
5	Stab 3	E0	SL 200mm/ no coating
		E1	SL 200mm/ ETFE coating *5
		E2	SL 200mm/ PFA-coating
		E3	SL 500mm/ no coating
		E4	SL 500mm/ETFE coated *5
		E5	SL 500mm/ PFA-coating
		E6	SL 1000mm/ no coating
		E7	SL 1000mm/ ETFE coating *5
		E8	SL 1000mm/ PFA coating
		E9	SL 1500mm/ no coating
		E10	SL 1500mm/ ETFE coating
		E11	SL 1500/ PFA-coating
		E12	SL 2000mm/ no coating
		E13	SL 2000mm/ ETFE coating *5
E14	SL 2000mm/ PFA-coating		
6	rod 3 diameter	F0	4mm
		F1	8mm
7	Stab 4	G0	SL 200mm/ no coating
		G1	SL 200mm/ ETFE coating *5
		G2	SL 200mm/ PFA-coating
		G3	SL 500mm/ no coating
		G4	SL 500mm/ ETFE coating *5
		G5	SL 500mm/ PFA-coating
		G6	SL 1000mm/ no coating
		G7	SL 1000mm/ ETFE coating *5
		G8	SL 1000mm/ PFA coating
		G9	SL 1500mm/ no coating
		G10	SL 1500mm/ ETFE coating
		G11	SL 1500/ PFA-coating
		G12	SL 2000mm/ no coating
		G13	SL 2000mm/ ETFE coating *5
G14	SL 2000mm/ PFA-coating		
8	rod 4 diameter	H0	4mm
		H1	8mm
9	wire break monitoring *6	I0	without
		I1	wire break resistance
10	spacer	J0	no spacer
		J1	HL=50mm
		J2	HL=100mm
11	sensor connection	K0	cable gland, PA, M16x1,5, clamping range 4,5-10mm
		K1	M12 connector 5pin, conductive sensor, 4-rod



J1: HL=50mm



J2: HL=100mm

**EXISTING CONFIGURATIONS**

Type	Order number	Item number	Old order number
CS4-8	<a href="#">CS4-8-A8B0C8D0E8F0G8H0I0J0K0</a>	800-248	
CS4-8	<a href="#">CS4-8-A11B0C11D0E11F0G11H0I0J0K1</a>	800-961	

**REMARKS**

\*1 in contact with product PB

\*2 conform to FDA

\*3 in combination with fitting mating connector

\*4 FDA-conformity up to 120°C, conform to EG1935/2004, approved by 10/2011

\*5 conform to FDA only up to 120°C

\*6 does only make sense with external evaluation unit

We reserve the right to make technical modifications and correction at any time without prior notice!

This version of the data / type sheet is a translation by a partner. We assume no liability for translation errors. If the translation contains errors or ambiguities, the German version of the data / type sheet is to be used.

**REVISION**

Version	Effective from	Comment
<u>3.0</u>	11.12.2018 08:48:55	S-coat entfernt, ETFE hinzugefügt
<u>2.0</u>	30.04.2014 13:23:43	UPDATE Typenschlüssel
<u>1.1</u>	09.10.2013 10:34:29	Freigabe PSO 09102013
<u>1.0</u>	19.08.2013 09:13:19	Typenblatt angelegt